

# SRD Dead Front Interlocked Receptacles with Factory Sealed Switch

SP Plugs, 480 VAC, 60–400 hertz

Cl. I, Div. 1 and 2, Group D  
Cl. II, Div. 1 and 2, Groups F, G  
Cl. III  
NEMA 3, 7D, 9FG, 12  
Explosionproof

Dust-Ignitionproof  
Raintight  
Wet Locations

## Applications:

SRD dead front interlocked receptacles, switches, and SP plugs are used:

- To supply power to portable electrical equipment such as motor-generator sets, compressors, heating and cooling units, lighting systems, conveyors and similar equipment
- In areas which are hazardous due to the presence of flammable vapors or gases and combustible dusts
- In damp, wet or corrosive locations
- Indoors or outdoors at petroleum refineries, chemical and petrochemical plants, as well as facilities for processing and handling grain, flour and starch

## Features:

- SRD receptacles feature a built-in rotary switch that operates automatically when the plug is inserted and withdrawn. The switch, capable of making and breaking the circuit at full rated load, is operated by a helical blade in the center of the plug.
- The plug and receptacle contacts cannot be made or broken under load. When the plug is inserted, the plug and receptacle contacts engage before the switch closes. When the plug is withdrawn, the switch opens before the plug and receptacle contacts disengage. This sequence of operation provides the maximum safety of a dead front receptacle. Arcing is isolated in a flame and dust-tight chamber.
- Operation is simple, safe and positive. To disconnect the portable device, the plug is simply pulled straight out. No separate interlock device or operating handle need be actuated.
- Positive engagement without mismatching is assured by a distinct physical polarization of plug and receptacle in every rating.
- Plugs are furnished with pressure terminations. Receptacles are furnished with flexible leads for splicing to the supply conductors. A threaded cover at the top provides access to the wiring compartment.
- Back box is provided with 1/4" vertical through feed hubs.

## Certifications and Complies:

- NEC:  
Class I, Division 1 and 2, Group D  
Class II, Division 1 and 2, Groups F, G  
Class III
- NEMA 3, 7D, 9FG, 12
- ANSI/UL Standard: 1010

## Standard Materials:

- Back box – *Feraloy*® iron alloy
- Threaded cover – copper-free aluminum
- Receptacle housings and plug exteriors – copper-free aluminum
- Insulation – high impact glass filled phenolic
- Contacts – brass

## Standard Finishes:

- *Feraloy* iron alloy – electrogalvanized and aluminum acrylic paint
- Copper-free aluminum – natural
- Phenolic – natural (black)
- Brass – silver plated

## Options:

- Special polarity – where two or more receptacles of the same ampere rating and number of poles are to be installed in the same area for use on different voltages, alternate polarizations can be furnished. Details on request.

## Electrical Rating Ranges:

- 30 and 60 amperes, 480VAC

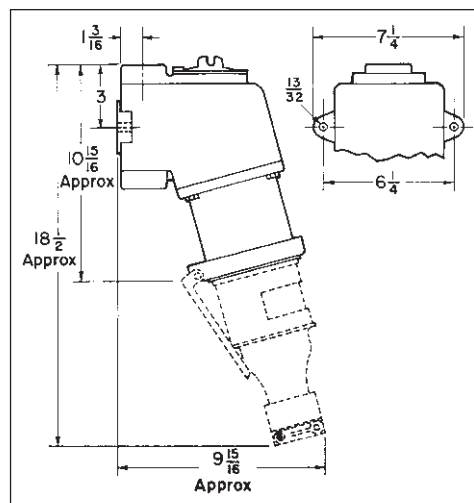
## Grounding:

- SRD receptacles and SP plugs are provided with an extra grounding pole. In plugs, provision is made for attachment of a grounding wire to the grounding pole. In addition, direct connection is provided between plug and receptacle housings and the grounding pole. In the receptacle, grounding is accomplished through the conduit system.

**CAUTION:** To reduce the risk of ignition of hazardous atmospheres, do not use plugs or receptacles in Class II, Group F locations that contain electrically conductive dusts.

## Dimensions

### In Inches:



# SRD Dead Front Interlocked Receptacles with Factory Sealed Switch

SP Plugs, 480 VAC, 60–400 hertz

Cl. I, Div. 1 and 2, Group D  
 Cl. II, Div. 1 and 2, Groups F, G  
 Cl. III  
 NEMA 3, 7D, 9FG, 12  
 Explosionproof

Dust-Ignitionproof  
 Raintight  
 Wet Locations

**4P**



SRD Receptacle with spring door



SP Plug



SRD Receptacle with threaded cap



SP Plug with fastening ring cap

## Back Box – 1¼" Vertical Through Feed Hubs

Rating	Description	With Spring Door	With Cable Grip and Neoprene Bushing		With Threaded Cap	With Cable Grip and Neoprene Bushing	
		Cat. #	Cable Dia.	Cat. #	Cat. #	Cable Dia.	Cat. #
30 amp.	2-wire, 3-pole	SRD3324N	[.500 to .875 .875 to 1.375	SP3363N SP3365N	SRD3384N	[.500 to .875 .875 to 1.375	SP3383N SP3385N
	3-wire, 4-pole	SRD3424D	[.500 to .875 .875 to 1.375	SP3463D SP3465D	SRD3484D	[.500 to .875 .875 to 1.375	SP3483D SP3485D
	4-wire, 5-pole	SRD3524 NW	[.500 to .875 .875 to 1.375	SP3563 NW SP3565 NW	SRD3584 NW	[.500 to .875 .875 to 1.375	SP3583 NW SP3585 NW
60 amp.	2-wire, 3-pole	SRD6324N	[.500 to .875 .875 to 1.375	SP6363N SP6365N	SRD6384N	[.500 to .875 .875 to 1.375	SP6383N SP6385N
	3-wire, 4-pole	SRD6424D	[.500 to .875 .875 to 1.375	SP6463D SP6465D	SRD6484D	[.500 to .875 .875 to 1.375	SP6483D SP6485D
	4-wire, 5-pole	SRD6524 NW	[.875 to 1.375 1.375 to 1.875	SP6565 NW SP6567 NW	SRD6584 NW	[.875 to 1.375 1.375 to 1.875	SP6585 NW SP6587 NW

4P