

F2MV is a compact floodlight consisting of a Corro-Free™ epoxy coated copper-free aluminum enclosure, with stainless steel external hardware and impact-resistant glass. It is available for use with the following energy-saving mogul base HID lamp types and wattages:

- High Pressure Sodium (HPS)—50, 70, 100, and 150W
- Metal Halide (MH)—70, 100, and 175W

Applications:

Available in a variety of voltage ratings, this compact floodlight is suitable for marine and wet locations.

Features and Benefits:

- Small, compact size—easy to install and maintain
- 40°C, 55°C, and 65°C ambient suitability—addresses high ambients common in industrial facilities
- Low ambient capability to -40°C—perfect for colder climates
- Heavy-duty, copper-free aluminum enclosure with epoxy coating and stainless steel hardware—provides a robust design with industrial grade construction and corrosion resistance
- Continuous silicone gasketing—ensures wet and marine locations integrity
- Stainless steel tether chain and captive cover screws—secure cover to housing ensures ease of maintenance
- Trunnion (yoke) mount design—standard construction provides the greatest mounting flexibility, can be mounted vertically (wall), horizontally (rooftop or floor), or any angle in between
- Requires only two bolts to mount—simplifies installation
- Heat- and impact-resistant tempered glass lens—provides exceptional stability
- Shock-absorbing mogul base lamp socket—cushions lamp, improves lamp life in harsh environments
- 3-axis resonance withstand and UL844 vibration compliant—stands up to the tough jobs
- Precision formed aluminum reflector—superior beam control, distribution and efficiency
- NEMA 7x6 floodlight pattern with lamp orientation base down—the ideal light distribution for industrial applications
- Multi-tap ballasts—offering a choice of 120, 208, 240, and 277V; 220V, 50Hz; 240V 50Hz; Tri-Tap (120, 277, and 347) and 480V ballasts are also available
- High light output with a low cost of operation—a cost-effective, high wattage floodlight
- For use with SFA6 slipfitter adapter and SWB6 wall mount bracket accessories—further enhances mounting flexibility
- Restricted breathing compliance—cooler T-numbers for increased hazardous locations suitability

Standard Materials:

- Enclosure (housing and lens cover)—copper-free aluminum
- Cover chain and external hardware—stainless steel
- Lens—heat- and impact-resistant glass
- Gaskets—silicone rubber
- Yoke—copper-free aluminum
- Reflector—diffused aluminum lighting sheet

Standard Finishes:

- Enclosure and yoke—Corro-Free™ epoxy powder coat
- Stainless steel—natural



Certifications & Compliances:

NEC/CEC:

- Class I, Division 2, Groups A, B, C, D
- Marine locations
- NEMA Type 4X
- Wet locations

IEC/NEC/CEC:

- Class I, Zone 2, Group IIC
- With suffix—S826 and S826TB—restricted breathing (Ex nR) option
- Class I, Zone 2
- Class I, Division 2

UL Standards:

- 844—Hazardous (Divisions Classified) Locations
- 2279—Hazardous (Zones Classified) Locations
- 1572—Ordinary and Wet Locations, Marine Outside Type

CSA Standards:

- C22.2 No. 137
- CAN/CSA-E79 Series

IEC Standards:

- 60079-15

Ratings (Electrical/Size):

Sources/Wattages (Mogul Base Lamps)

- HPS—50, 70, 100, and 150W
- MH—70, 100, and 175W

Voltages:

Standard Voltage Ballasts

- Multi-tap (120, 208, 240, and 277V 60Hz)
- Dual-tap (120, 277V 60Hz)—50W HPS only
- 480V 60Hz
- Tri-tap (120, 277, 347V 60Hz)

Optional Voltage Ballasts (Consult Eaton's Crouse-Hinds)

- 220V or 240V 50Hz (for export)
- 220V 60Hz (for export)

Isolated Ballasts (Consult Eaton's Crouse-Hinds)

- 208, 240, or 480V (for Canada)

Hub Size:

- Standard—(2) 3/4" NPT
- Optional—(2) 25 mm (M25 x 1.5) or (2) 20 mm (M20 x 1.5)

19

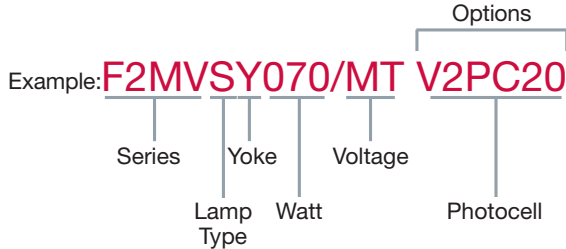
Ordering Information:

Lamp Type	Watts	Base Catalog Number*	
		3/4" NPT Hub	25mm Hub†
High Pressure Sodium	50	F2MVSY050	F2MVS25Y050
	70	F2MVSY070	F2MVS25Y070
	100	F2MVSY100	F2MVS25Y100
Metal Halide	150	F2MVSY150	F2MVS25Y150
	70	F2MVMY070	F2MVM25Y070
	100	F2MVMY100	F2MVM25Y100
	175	F2MVMY175	F2MVM25Y175

* To complete catalog number, add voltage and options suffix(es).
†For 20mm metric threads, change 25 to 20 in catalog number. Example: F2MVS20Y050/MT.

Voltage Suffixes:

Voltage (60Hz)	Dual-Tap	Tri-Tap	Multi-Tap	480
Suffix	/DT	/TT	/MT	/480



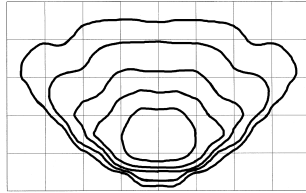
Options:

Description	Suffix
Instant Restrike and Ballast Guard	
Instant Restrike—enables a hot HPS lamp to immediately restrike after a momentary loss of arc due to voltage fluctuation or power outage	
Ballast guard starter cut out switch—prevents starter pulsing when lamp is cycling or inoperative; prolongs ballast and ignitor life	
• 150W LX HPS only.....	TIR
Factory assembled with HID lamp installed.....	FA
Fused (not suitable for marine applications).....	S658
Furnished with lamps (not installed).....	S714
Pulse-start metal halide only.....	S828
Photocell 120V, 50/60Hz installed.....	V2PC20
Photocell 208-240V, 50/60Hz installed.....	V2PC22
Photocell 277V, 50/60Hz installed.....	V2PC27

Photometrics are available online.

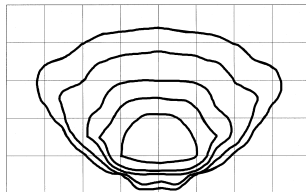


Photometric Data:



Isofootcandle Chart F2MV
150W High Pressure Sodium (HPS)
Catalog Number: F2MVSY150
Lamp: 150W Clear HPS
Lumen Rating: 16,000

For 100W HPS, multiply footcandles by .55.
For 70W HPS, multiply footcandles by .40.
For 50W HPS, multiply footcandles by .24.



Isofootcandle Chart F2MV
175W Metal Halide (MH)
Catalog Number: F2MVMY175
Lamp: 175W Clear MH
Lumen Rating: 14,000

For 100W MH, multiply footcandles by .58.
For 70W MH, multiply footcandles by .37.

Accessories (Order Separately):

- Slipfitter adapter**
To be mounted to yoke mount fixture
Fits onto 2" pipe/conduit..... **SFA6**
- Wall bracket**
Use with slipfitter adapter
SFA6 for easy wall mounting and increased adjustability..... **SWB6**

Effective Projected Area (EPA):

- For windloading
- For proper pole selection

Aiming Angle	EPA
0°	1.6 FT²
30°	1.6 FT²
60°	1.1 FT²

Footcandle Table:

Mounting Height	Footcandle Values for Isofootcandle Lines				
	A	B	C	D	E
10'	8.00	4.00	2.00	0.80	0.40
15'	3.56	1.78	0.89	0.36	0.18
20'	2.00	1.00	0.50	0.20	0.10
25'	1.28	0.64	0.32	0.13	0.06
30'	0.89	0.44	0.22	0.09	0.04

Photometrics are available online.



Temperature Performance Data:

Catalog Series	Lamp		40°C Ambient			55°C Ambient			65°C Ambient			Fixture Aiming	
			Temperature Code			Temperature Code			Temperature Code				
	Type	Watts	Class I, Zone 2	Class I, Div. 2	Supply Wire °C	Class I, Zone 2*	Class I, Div. 2	Supply Wire °C	Class I, Zone 2*	Class I, Div. 2	Supply Wire °C	Range	Figure
F2MVS	High Pressure Sodium	50	T6	T3C	75	T6	T3C	75	T3B	T5	75	90°	1
		70	T6	T3A	60	T5	T3A	75	T3	T4	85	90°	1
		100	T4	T2D	75	T4	T2C	90	-	-	-	90°	1
		150**	T4	T2A	75	T4	T2A	85	T3	T2A	110	90°	1
F2MVM	Metal Halide	70	T6	T3C	75	T5	T3A	75	T4	T3A	85	90°	1
		100	T4	T2D	75	T4	T2D	75	T4	T2C	85	90°	1
		175**	T3	T2A	75	T3	T2A	85	T3	T2A	110	90°	1

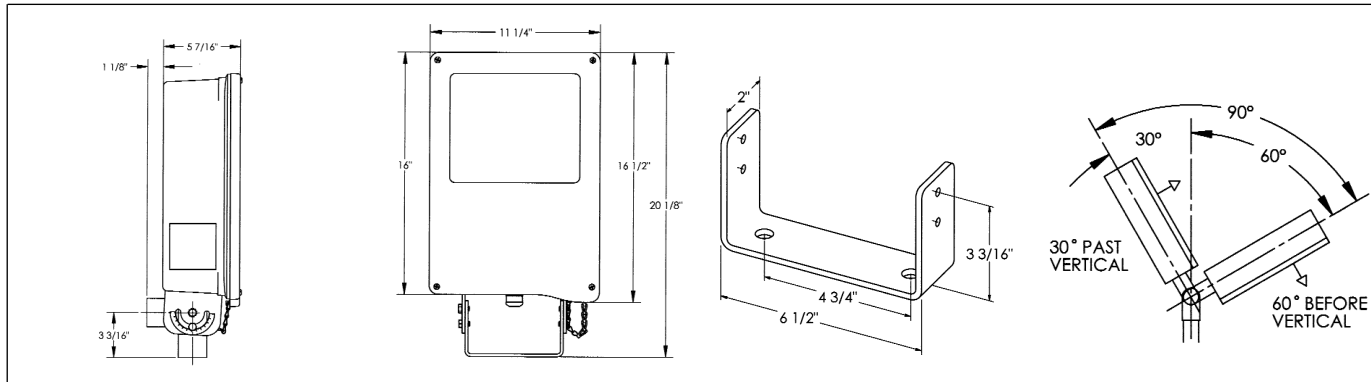
*Restricted breathing explosion protection, requires suffix S826 (TB).
**Suitable for use in 65°C ambient without optional fuses.

Lamp Selection (Mogul Base):

Fixture	Watts	Type	Bulb	G.E.	Osram	Philips	Venture
F2MVSY050	50	HPS	ED23 1/2 or ET23 1/2	LU50	LU50	C50S68	-
F2MVSY070	70	HPS	ED23 1/2 or ET23 1/2	LU70	LU70	C70S62	-
F2MVSY100	100	HPS	ED23 1/2 or ET23 1/2	LU100	LU100	C100S54	-
F2MVSY150	150	HPS	ED23 1/2 or ET23 1/2	LU150/55	LU150/55	C150S55	-
F2MVMY070	70	MH	ED28	-	-	-	MH70W/U/ED28
F2MVMY100	100	MH	ED28	-	-	-	MH100/U/ED28
F2MVMY175	175	MH	ED28 or BT28	MVR175/C/U	M175/C/U	MH175/C/U	MH175/C/U

Weights and Dimensions:

Fixture Weight: 26 lbs.



Photometrics are available online.

