

## HazMax Summit/ss



### FEATURES

- High output luminaire, up to 20,000 raw lumens.
- Fluorescent system provides energy savings up to 50% when compared to HID.
- Third party certified for operation in high ambient temperatures, up to 55° C (131° F).
- Multi voltage electronic ballast resistant to brownouts or voltage and frequency fluctuations.
- Stainless steel housing, lens frame and hinges.
- One piece neoprene gasket provides a watertight seal.
- Optional high efficiency reflector up to 95% total reflectivity.
- Pendant, feed-through or combination mounting styles.
- Optional, self contained emergency battery backup ballasts.
- Optional long life T5 lamps available upon request (consult factory).

### APPLICATIONS

- High, mid & low bay
- Hazardous locations
- Watertight requirements
- Dusttight requirements
- High pressure hose down areas
- Paint & formulation facilities
- Pulp & paper production
- Food & beverage processing facilities
- Grain & sugar milling, processing & storage
- Pharmaceutical & additive formulation & processing
- Pipeline compressor / pumping & storage
- Petrochemical facilities
- Munitions manufacturing and storage
- Waste water treatment plants
- Salt & potash mines
- Freezer and refrigeration
- Corrosive environments

### APPROVALS

- Class I Division 2 Groups A, B, C, & D
- Class I Zone 2 Groups IIA, IIB & IIC
- Class II Divisions 1 & 2 Groups F & G
- Class III
- Type 4X
- Conforms to IP66
- ABS

### STANDARDS

- UL 844 - Hazardous Locations
- UL 924 - Emergency Lighting Equipment
- UL 1598 - Luminaires
- CSA - C.3428 03
- CSA - C.3428 83

### TECHNICAL SPECIFICATIONS

#### HOUSING/LENS FRAME

Type 304 stainless steel. Optional type 316.

#### LENS

Acrylic, optional polycarbonate and tempered glass.

#### REFLECTOR

Type 5052H32 aluminum with an electrostatically applied white polyester powder coat finish. Minimum 90% reflectance. High efficiency option, minimum 95% reflectance.

#### GASKET

One piece closed cell neoprene sponge.

#### HINGES

Stainless steel.

#### LAMP HOLDERS

Spring loaded on T5, T5HO and T8HO models. Locking sockets on T8 Bi-Pin models. Engineered plastics, no urea materials.

#### MOUNTING

See ORDERING REFERENCES and MOUNTING OPTIONS for details.

#### ENTRIES

1/2" or 3/4" NPT feed-through, pendant or combination.

#### LAMP TYPES

See ORDERING REFERENCES. Lamps not provided.

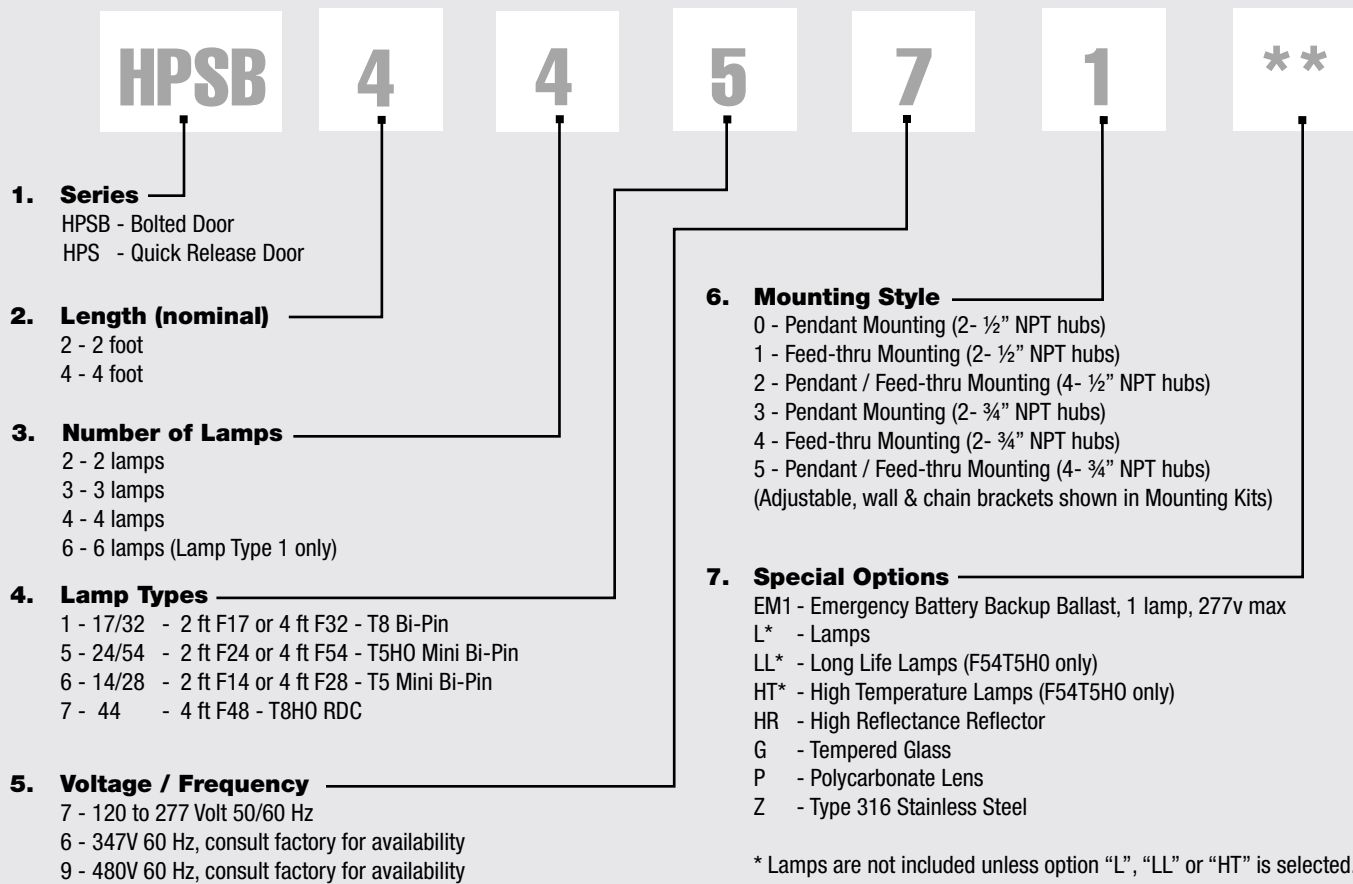
#### BALLAST

120 to 277 volt 50/60 Hz electronic, optional 347v and 480v.

#### EMERGENCY BATTERY BACKUP BALLAST

Optional, self contained 90 minute minimum for all lamp types. 120 minutes minimum for F32T8 one lamp. Starting temperature 32°F/0°C.

## ORDERING REFERENCES



### Notes:

1. Consult factory for options not listed.

## SPARE PARTS

Part No.	Description
FX5350	BALLAST 120-277V AC 50/60HZ, 1 x 14, F14T5
FX5350	BALLAST 120-277V AC 50/60HZ, 1 x 28, F28T5
FX5307	BALLAST 120-277V AC 50/60HZ, 1 x 24, F24T5HO
FX5305	BALLAST 120-277V AC 50/60HZ, 1 x 54, F54T5HO
FX5174	BALLAST 120-277V AC 50/60HZ, 1 x 17, F17T8
FX5221	BALLAST 120-277V AC 50/60HZ, 1 x 32, F32T8
FX5349	BALLAST 120-277V AC 50/60HZ, 1 x 44, F48T8HO
FX5350	BALLAST 120-277V AC 50/60HZ, 2 x 14, F14T5
FX5350	BALLAST 120-277V AC 50/60HZ, 2 x 28, F28T5
FX5307	BALLAST 120-277V AC 50/60HZ, 2 x 24, F24T5HO
FX5305	BALLAST 120-277V AC 50/60HZ, 2 x 54, F54T5HO
FX5340	BALLAST 120-277V AC 50/60HZ, 2 x 17, F17T8
FX5340	BALLAST 120-277V AC 50/60HZ, 2 x 32, F32T8
FX5349	BALLAST 120-277V AC 50/60HZ, 2 x 44, F48T8HO
FX5128HDU	EMERGENCY BATTERY BACKUP BALLAST, EM1, 120-277v, for T8 & T8HO models
FX5346HDU	EMERGENCY BATTERY BACKUP BALLAST, EM1, 120-277v, T5 & T5HO models
FX3573	LAMP, 14w, F14T5
FX3574	LAMP, 28w, F28T5
FX3568	LAMP, 24w, F24T5HO
FX3567	LAMP, 54w, F54T5HO
FX3577	LAMP, 54w Long Life F54T5HO
FX3567HT	LAMP, 54w, F54T5HO
FX3528	LAMP, 17w, F17T8
FX3527	LAMP, 32w, F32T8
FX3565	LAMP, 44w, F48T8HO
FX2242	LENS, 4 ft. models
FX2241	LENS, 2 ft. models
GKT6124-115	GASKET, 4ft. models
GKT6124-69	GASKET, 2ft. models
FX8116SS	HINGES, 4 ft. models
FX4064F	LAMP HOLDER, stationary for T5 models
FX4064P	LAMP HOLDER, spring loaded for T5 models
FX4004	LAMP HOLDER, stationary for T8HO models
FX4005	LAMP HOLDER, spring loaded for T8HO models
FX4048	LAMP HOLDER, stationary for T8 models

# HazMax Summit/ss

## TEMPERATURE CODES & APPROVALS

Lamp Wattage	Ballast/Socket Type	ANSI Lamp Code	Class I T-Code	Class I Division 2	Class II Divisions 1 & 2	Class III	Class II & III T-Code	Starting Temp	Maximum Ambient*	Supply Wire
17	T8 Bi-Pin G13	F17-T8	T5	A,B,C & D	F & G	Yes	T3C	0°F/-18°C	55°C	90°C
32	T8 Bi-Pin G13	F32-T8	T5	A,B,C & D	F & G	Yes	T3C	-20°F / 29°C	55°C	90°C
24/54	T5HO Mini Bi-Pin G5	F24/F54-T5HO	T3C	A,B,C & D	F & G	Yes	T3C	-20°F/-29°C	40°C	90°C
14/28	T5 Mini Bi-Pin G5	F14/F28-T5	T3C	A,B,C & D	F & G	Yes	T3C	0°F/-18°C	55°C	90°C
44	T8HO RDC R17d	F48-T8HO	T5	A,B,C & D	F & G	Yes	T3C	-20°F/-29°C	55°C	90°C

\* Consult factory for optional higher ambient models.

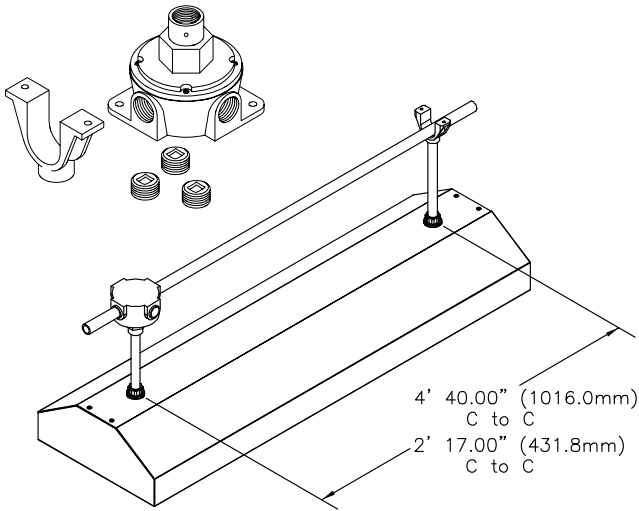
### DIMENSIONS



Nominal Length	Dimensions in Inches / Centimeters					Carton L x W x D inches	Nominal Weight	
	A	B	C	D	E		Lbs	Kg
2 Foot	26.59 / 67.5	3.2 / 8.1	6.59 / 16.7	15.72 / 39.9	15.92 / 40.4	28¾ x 16½ x 7½	30	13.61
4 Foot	50.59 / 128.5	3.2 / 8.1	6.59 / 16.7	15.72 / 39.9	15.92 / 40.4	53 x 16½ x 7½	54	24.50

Add 1 lb for 3 or 4 lamps.

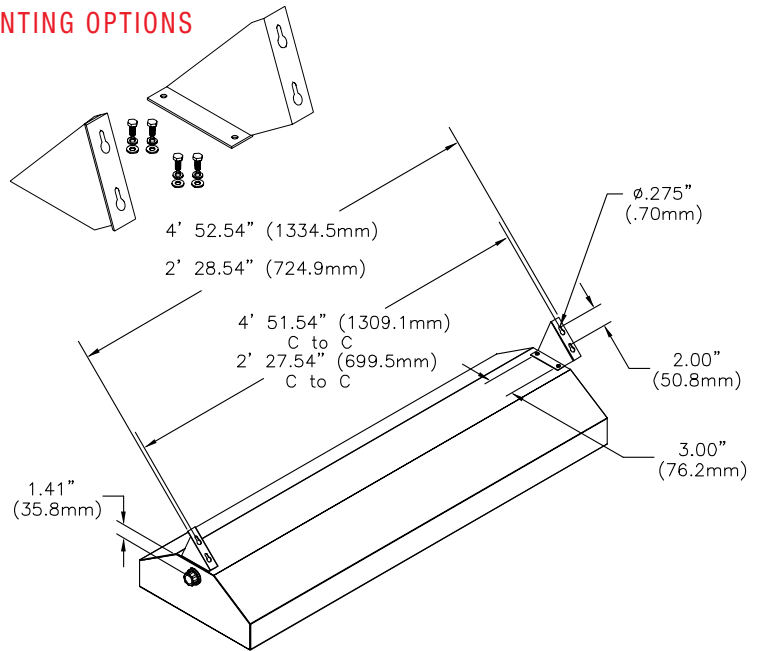
## MOUNTING OPTIONS



### HP1095MTK

Pendant kit.

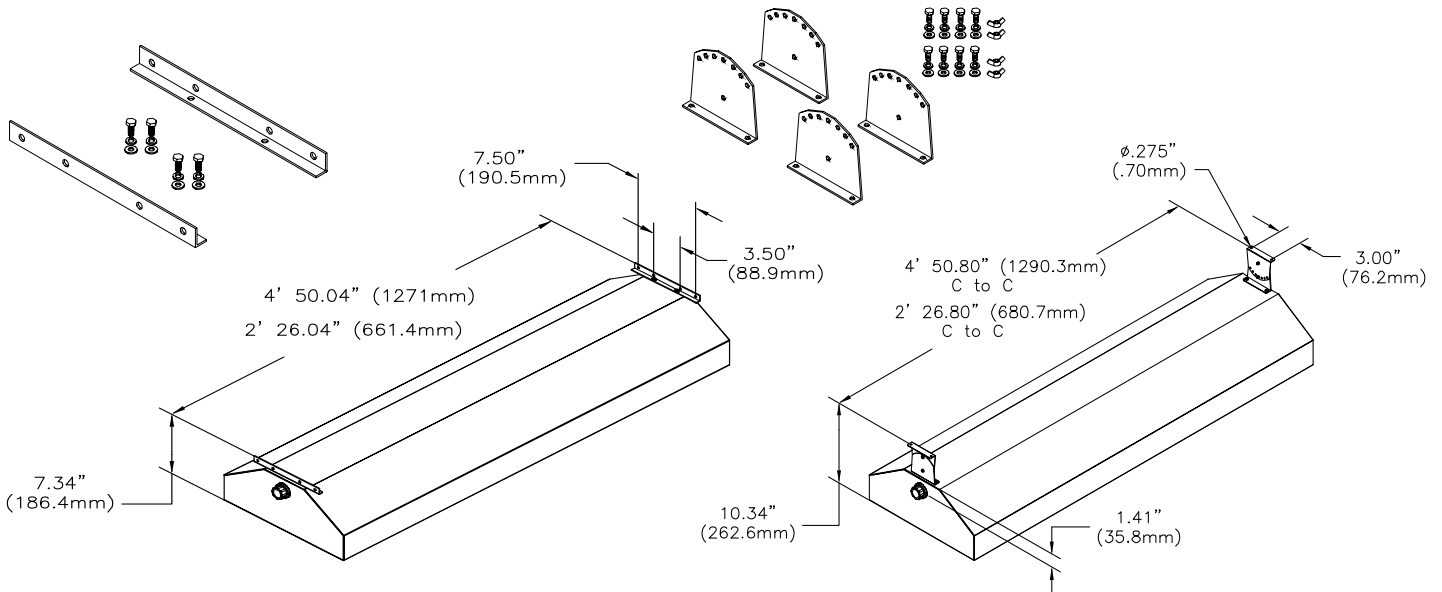
Consists of 1 saddle strap and one universal junction box & cover (3/4" NPT hubs).



### HP1099MTK

Fixed wall mounting kit.

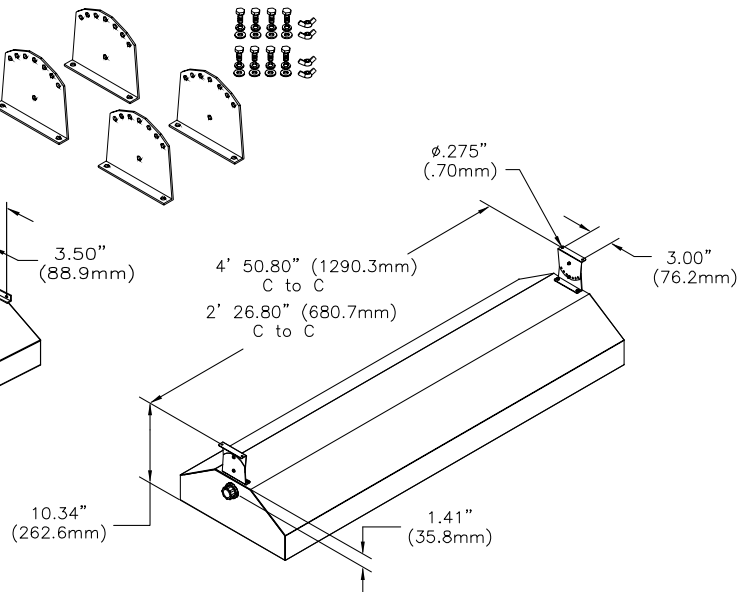
Consisting of 2 angled stainless steel wall brackets & hardware to mount brackets to fixture.



### HP1093MTK

Chain/cable mounting kit.

Consisting of 2 stainless steel chain brackets & hardware to mount brackets to fixture.



### HP1097MTK

Adjustable mounting kit.

Consisting of 2 pairs of stainless steel brackets & hardware to mount brackets to fixture.