



mounting bracket 4VA stainless



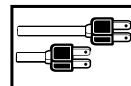
terminal connection chamber „e“



II 2 G Ex d e IIC T5/T6  
 II 2 D Ex tD A21 IP66 T 95 °C/T 80 °C  
 -20 °C ≤ Ta ≤ +70 °C/+40 °C  
 Zone 1, 2, 21, 22

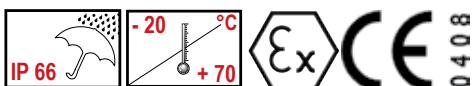
## Features

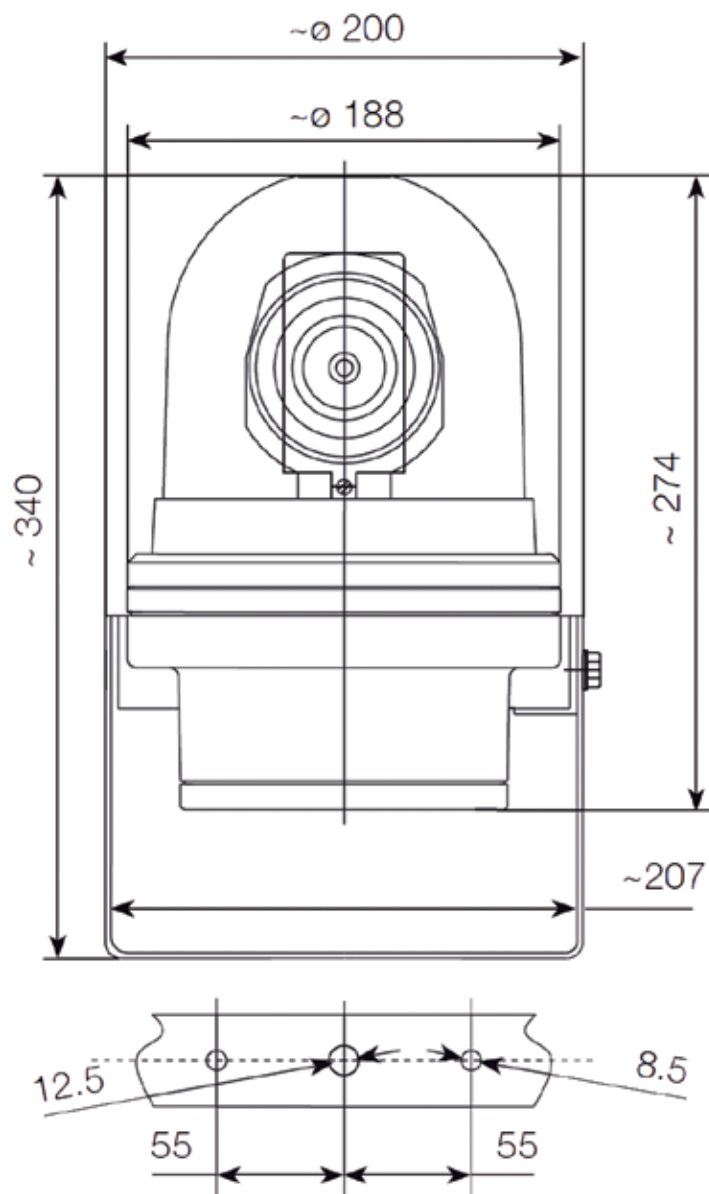
- ▶ visual rotating signalling device with powerful 20 W halogene bulb and triple lens optical system for use in explosion endangered areas of zone 1 and 2
- ▶ wear resistant friction gear
- ▶ modular system – synthetic housing made of glassfibre reinforced polyester
- ▶ lower weight – robust and corrosion proof design
- ▶ flameproof chamber „d“ - terminal connection chamber in protection class increased safety „e“
- ▶ for continuous operation
- ▶ 4 lens colours
- ▶ insulation class II – no equipotential bonding required



## Technical data

Type	dHR
Housing, Colour	glassfibre reinforced polyester black RAL 9005
Lens	polycarbonate (makrolon)
Colours	amber, red, blue, green (inner lens)
Terminal	1,5 mm <sup>2</sup> fine wire 2,5 mm <sup>2</sup> single wire
Light source	halogene bulb 20 W
Optics	triple lens optical system (fresnel lens)
Rotation speed	~ 60 rds/min
Cable entry	cable gland M20 x 1,5 and blind plug M20 x 1,5
Operation	continuous operation
Insulation class	II no equipotential bonding required
Weight	5,5 kg
Approval	PTB 02 ATEX 1098





## Order data

Type	Order No.	Denomination	Nominal voltage (V)	Voltage range (V)	Nominal current (A)
dHR1	350 00C 405	Ex-proof rotating signal beacon	24 V AC/DC	+/- 10%	0,90
	350 00C 410		110/120 V AC 50-60 Hz		0,20
	350 00C 413		230/240 V AC 50-60 Hz		0,10
dHR2	350 00C 004		12 V DC		1,70

### Colour code for lens

Code	Colour
1	amber
2	red
5	blue
6	green